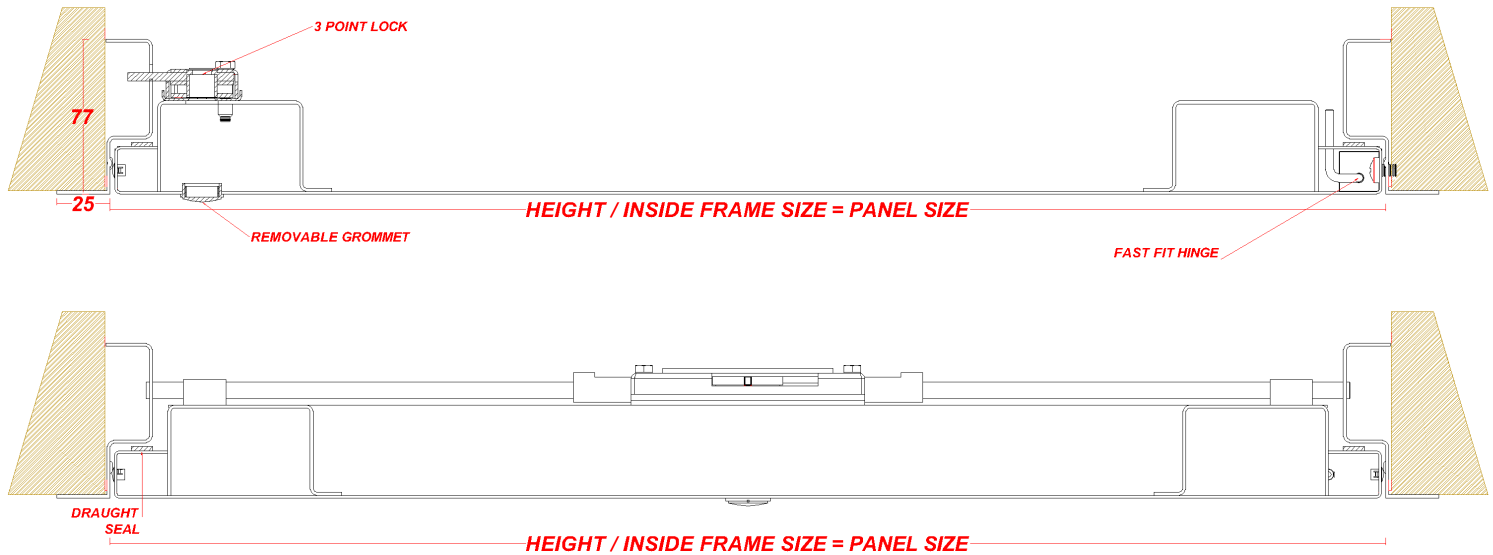
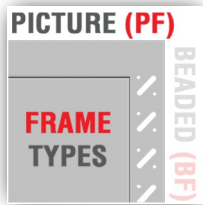


WALL
ONLY

PAL51-000-MD-PF-3WL

The PAL51-000-MD-PF-3WL range of Access Panels are simple to install and suitable for walls only allowing easy access where regular maintenance to services is required.



Description

It is manufactured with a 25mm wide picture frame. The panel has a Metal faced door. The panels door leaf is locked in place via a 3 way lock as standard other lock options are available upon request. The Panel is Powder Coated RAL 9010 30% Gloss. Other colours available upon request.

Tests

The Panel is Non Fire Rated.
The Panel is not acoustic rated.
The Panel is not Air Pressure tested.

Construction

The PAL51-000-MD-PF-3WL is manufactured from Zintec Steel with a 1.2mm thick Door and a 1.5mm Frame. The panels door leaf is hinged by a fast fit hinge system.

Fitting

Make sure the structural opening is at least 7mm larger than the panel size, back of frame size. E.G a 600x600mm panel size requires a 607x607mm hole size. Remove the door from the frame and place the frame into the set hole. Fix through the appropriate fixing holes within the frame ensuring the frame is pushed up against the structural opening surround. Check the frame is square by measuring corner to corner. Refit door and lock in place; the door and frame should be flush. Independent bracing or support may be required to take the weight of the Access Panel.